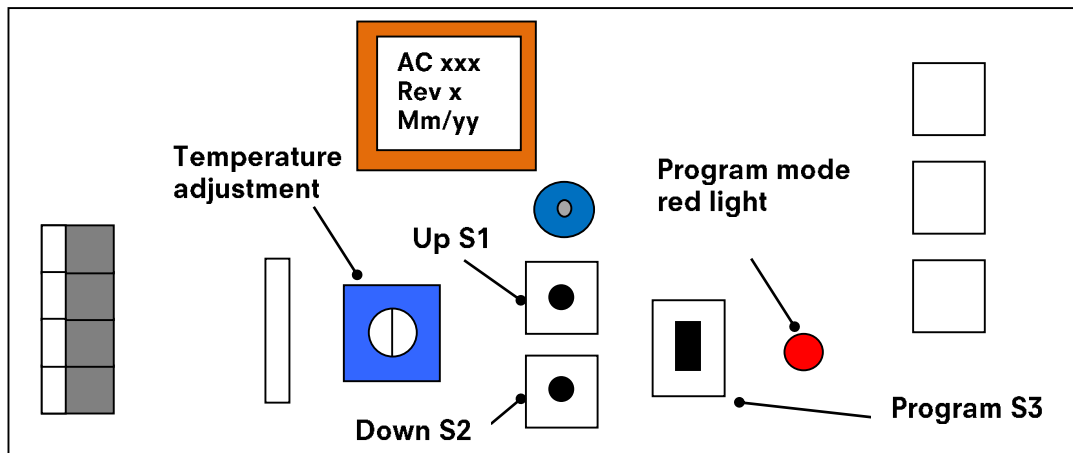


Instruction Sheet: Volume Adjust (Calibration) for Dairy Dispensers with B16 Circuit Board

Follow these instructions to adjust amounts dispensed by the Size buttons on dairy dispensers.

1. Before changing dispensing amounts, remove and clean the valve assembly, spring and plunger. This is the part that holds and pinches the tube in the front of the dispenser.
2. Insert a full bag of product in the dispenser. Measure and record all current dispense amounts. If an amount is not correct, proceed to Step 3 to make the required adjustment.
3. Remove the lower stainless steel splash panel. It is located below the white plastic valve(s) that holds the product tube(s). It is held in place by 4 screws.
4. Locate the circuit board that has electronic components on it. A red light should be on, indicating power is supplied to the board.
5. On the lower right corner of the circuit board, locate the black program switch "S3".
6. Move this S3 switch down. The red light will turn on indicating that you are now in Program mode.
7. On the button panel on the front door, press the button to select the product you wish to adjust (cream or milk). Then select the appropriate size by pressing one of the size buttons.
8. Locate the two white or black buttons (S1-UP & S2-DOWN) to the left of the program switch on the circuit board.
 - a. If an increase in the dispense amount is required, press the **UP** button once. Volume is increased by 1%. Continue to press this button until you have attained the proper % increase. E.g., if the amount is 10% low, press the UP button 10 times.
 - b. If a decrease in the dispense amount is required, press the **DOWN** button once. Volume is decreased by 1%. Continue to press this button until you have attained the proper % decrease. E.g., if the amount is 10% high, press the **DOWN** button 10 times.
9. Turn the program switch off.
10. Test product quantity to make sure that the proper amount is being dispensed.
11. Systematically repeat steps 6 – 10 until each size is dispensing the proper amounts.

Circuit Board



If you have any questions or concerns while performing this procedure, please contact the SureShot Solutions Technical Assistance Center by phone at 1-888-777-9990 or e-mail at service@sureshotsolutions.com. Find other helpful instruction sheets and videos on our website: www.sureshotsolutions.com.